



CAUTION:

BEFORE INSTALLING FIXTURE, MAKE SURE THE POWER TO THE CIRCUIT IS TURNED OFF AT THE MAIN FUSE BOX / CIRCUIT BREAKER UTILITY BOX.

Important Safety Instructions:

- These instructions are provided for your safety. It is very important that they are read carefully and completely before beginning the assembly and installation of this lighting fixture.

- **We strongly recommend that a professional electrician install all direct wire fixtures.**

- THIS PRODUCT MUST BE INSTALLED IN ACCORDANCE WITH THE APPLICABLE INSTALLATION CODES BY A PERSON FAMILIAR WITH THE CONSTRUCTION AND OPERATION OF THE PRODUCT AND THE HAZARDS INVOLVED.

- The lighting fixture is meant for indoor use. DRY LOCATIONS ONLY. It must be connected only to 3-wire, single-phase electrical supply systems (provided with ground wire or equivalent protection system).

- This fixture has been rated for up to eleven (11) 60-watt maximum TYPE G edison base (E-26) incandescent bulbs (not included) or eleven (11) 4.5 -watt TYPE G edison base (E-26) stretch filament LED bulbs (included).

To avoid the risk of fire, do not exceed the recommended lamp wattage.

- Save these instructions.

WARNING:

- To reduce the risk of fire, electrical shock, or personal injury, always turn off light fixture and allow it to cool prior to replacing bulb.

- Do not touch bulb when fixture is turned on. Do not look directly at lit bulb.

- Keep flammable materials away from lit bulb.



GENERAL NOTES:

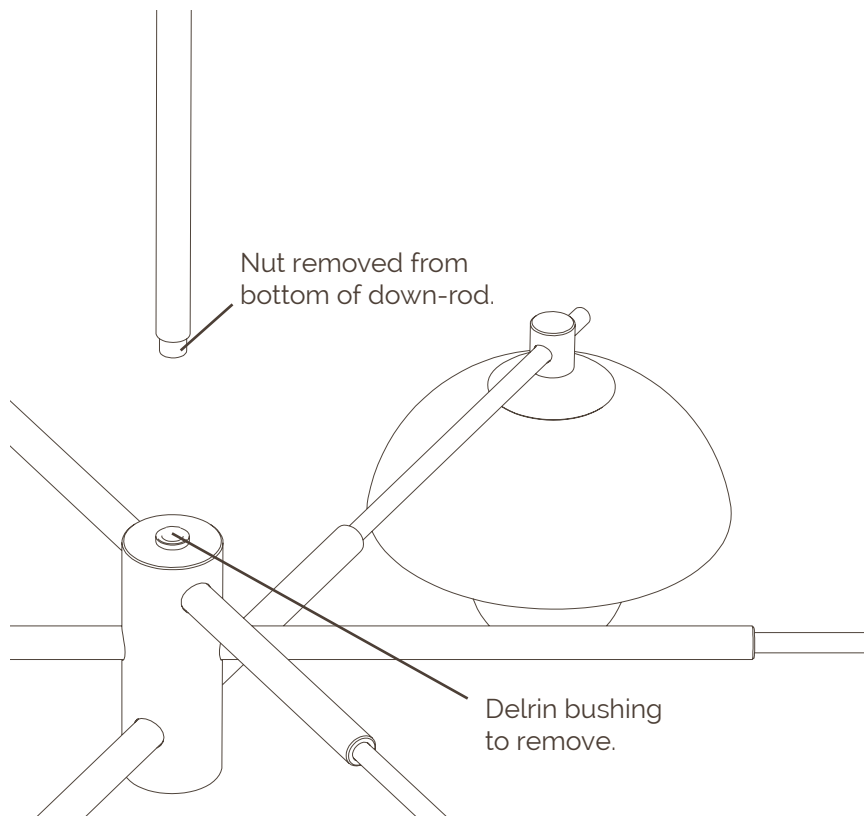
- Fixture is generally easier to install as 2 fixtures and then connect via set screw once both halves are connected to their respective j-boxes.
- Ceramic and ceramic holders should be attached AFTER fixtures are both installed and connected.

STEP ONE:

- Turn off circuit power.
- Prepare j-box.

STEP TWO: Prepare fixture for install.

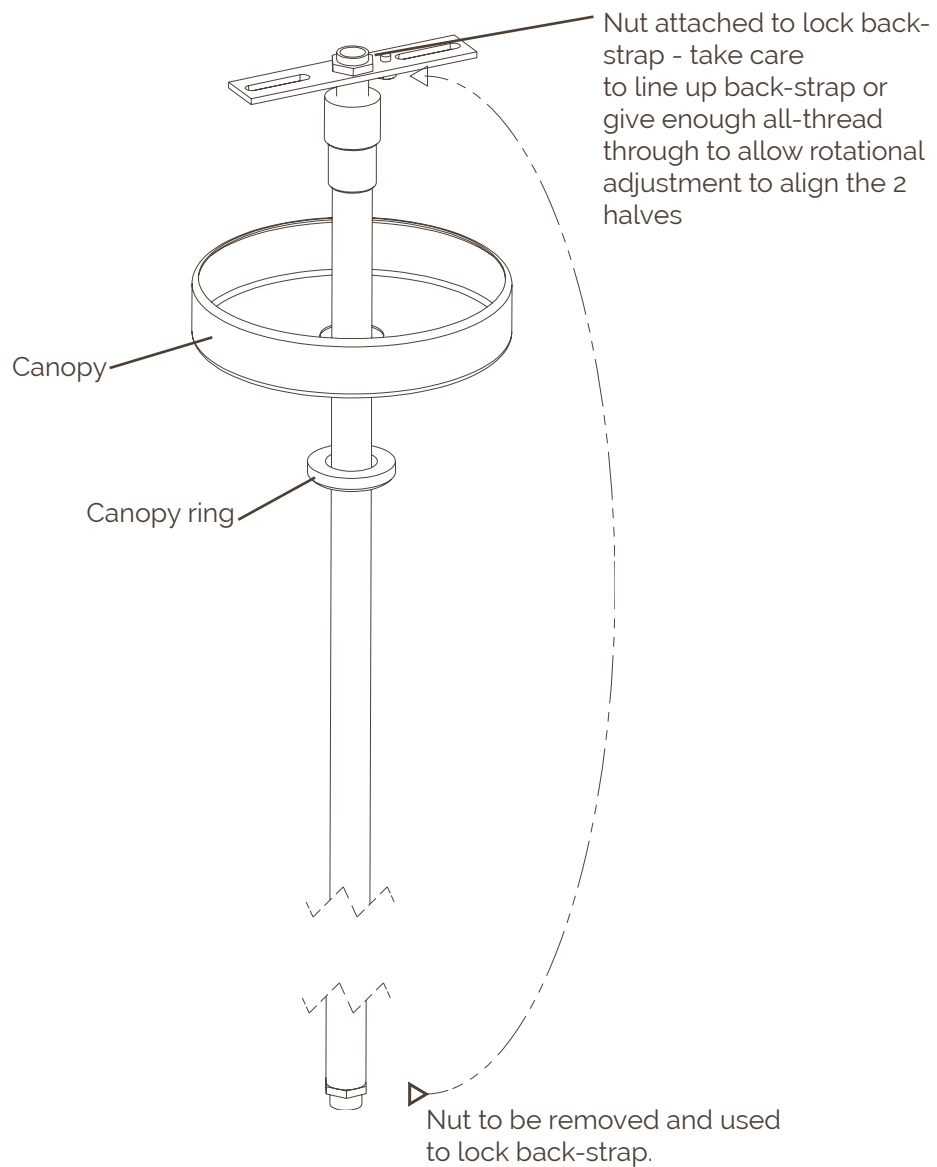
- Remove delrin bushing from center hubs on fixtures.
- Remove nut from bottom end of down-rods.
- Thread down-rod into center hub.





STEP THREE:

- With caution, slip canopy ring and canopy down fixture to rest on center fixture hub.
- Attach back-strap and locking nut to top end of down-rod assembly.





STEP FOUR:

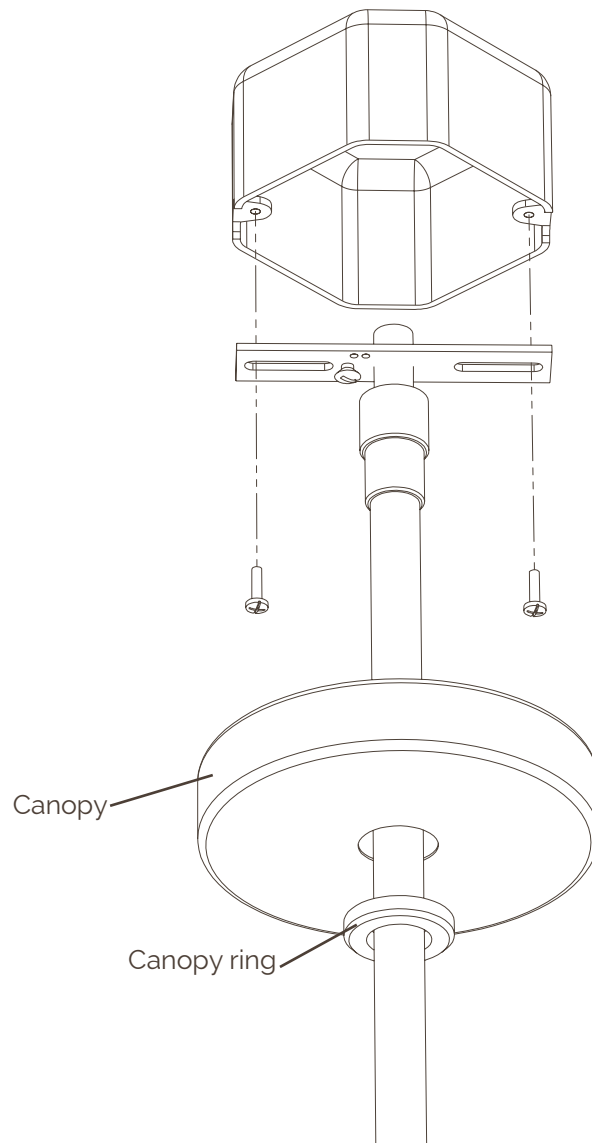
- Connect fixture to j-box.
- Make wire connections. Grounding through the fixture is provided by the back-strap ground screw.

Notes:

SMOOTH WIRE IS HOT WIRE.

Ribbed wire is the neutral wire.

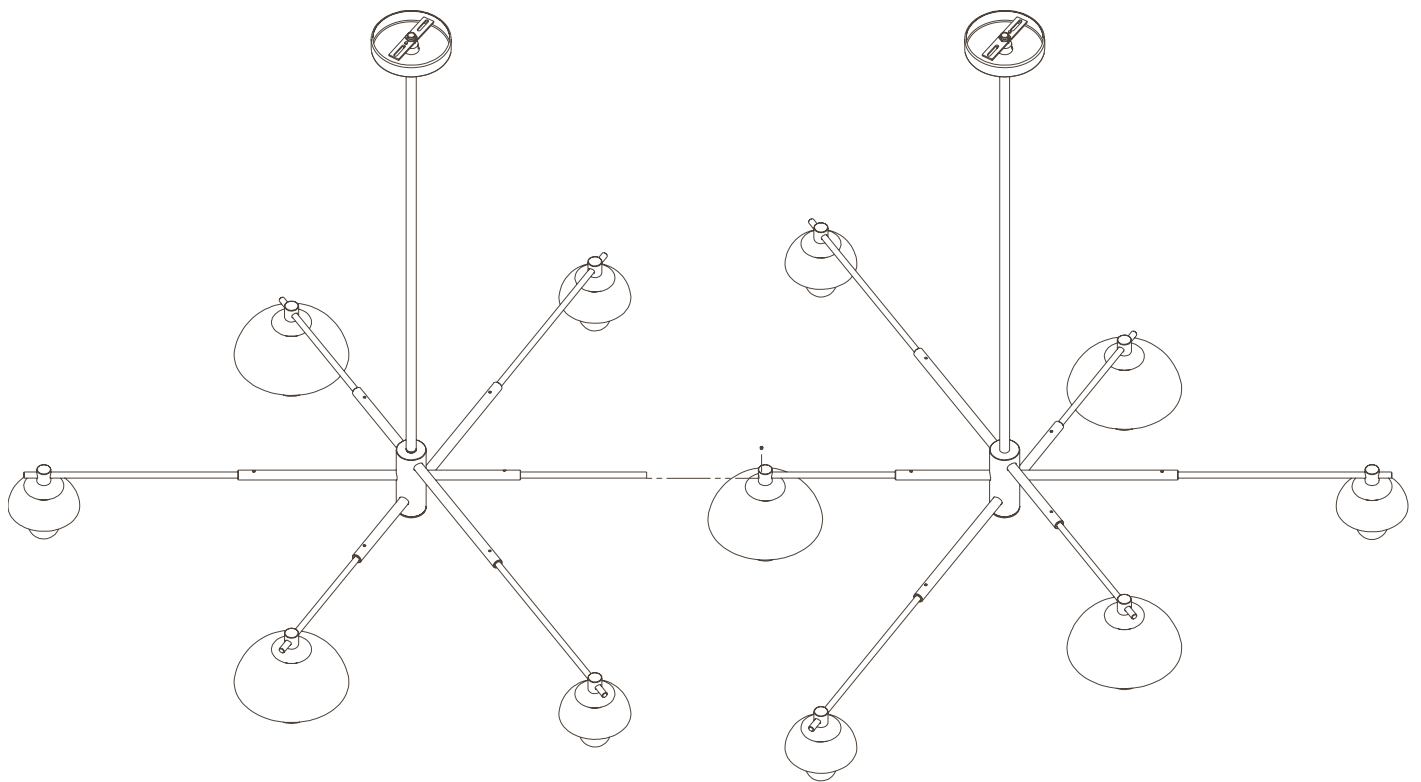
DO NOT REVERSE THE HOT AND NEUTRAL CONNECTIONS OR SAFETY WILL BE COMPROMISED.





STEP FIVE: Intall second half.

- Leave the foam cover on the short arm so the fixtures do not bump and scratch while hanging the second half.
- Repeat steps 1-4 for second half of fixture.
- Align center arms of 2 halves and connect with set screw - a second person may be needed to help with visual alignment. (NOTE: image below shows ceramic already attached, but they should not be installed yet.)





STEP SIX:

- Install ceramic with threaded ceramic holders. There is a slightly oversized hole in the ceramics to allow for minor adjustments for leveling the bottom edges.
- Install included bulbs.

BE CAREFUL TO NOT OVER TIGHTEN BRASS HOUSING OR CERAMIC WILL CRACK.

