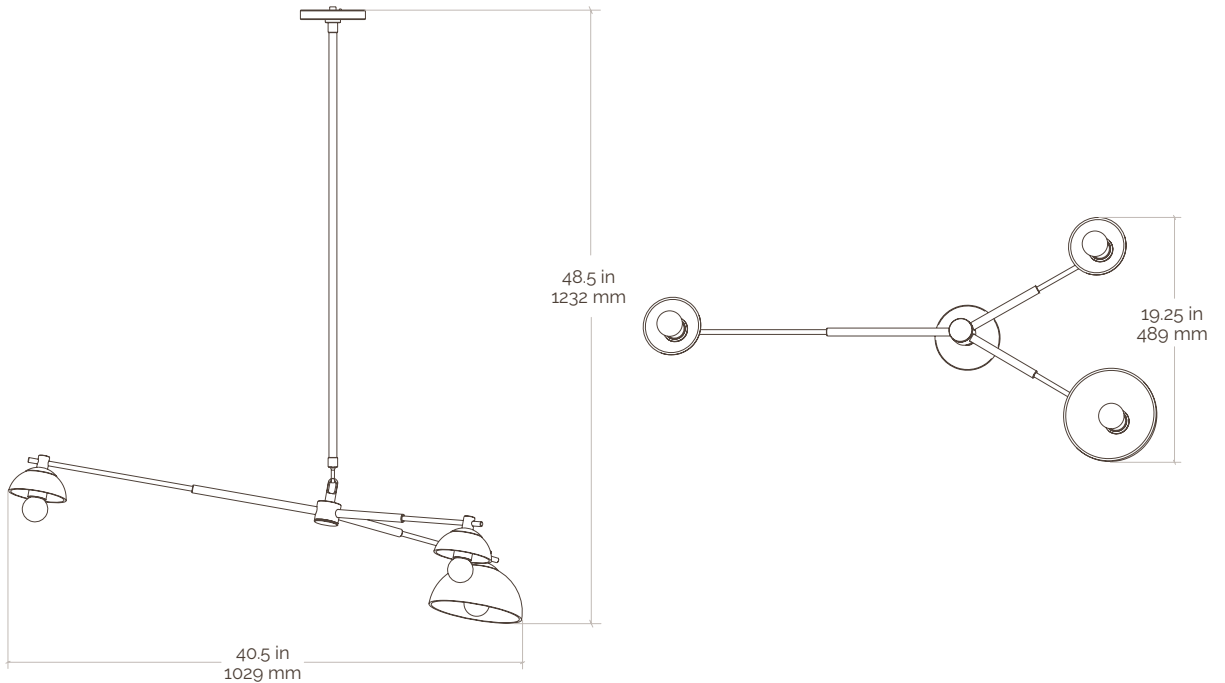




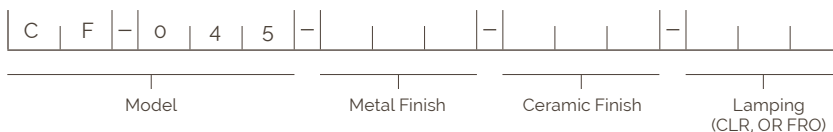
# Dixon Ceiling Fixture Three Light

Incandescent



<b>Collection</b>	Dixon	<b>Mounting</b>	4 in octagon box
<b>Number</b>	CF-045	<b>Canopy</b>	5 in / 130 mm
<b>Product</b>	Ceiling Fixture Three Light	<b>Certifications</b>	UL listed
<b>Appx. Dimensions</b>	H: 48.5 in / 1232 mm W: 40.5 in / 1029 mm L: 19.25 in / 489 mm	<b>Lamping</b>	E26 G16.5 stretch filament LED
<b>Weight</b>	12 lbs / 5.4 kgs	<b>Lamping Spec</b>	4.5 w / 500 lm / 2700 k each
<b>Materials</b>	Brass & terracotta	<b>Dimming</b>	See compatability list for details.
<b>Finishes</b>	Available in any Pax brass & ceramic finish		Standard down rod is 35in/890mm and can be cut to length on-site or ordered to length specified by desired fixture's overall height (OAH). Longer custom length available.

**SKU Key** Finish legend available at [paxlighting.com/finishes](http://paxlighting.com/finishes)





---

## Specifications

### SKU Legend

XX-XXX	XXX-	XXX-	XXX-
<b>Model</b>	<b>Metal Finish</b>	<b>Ceramic Finish</b>	<b>Lamping</b>
SC	Antique White (ANW)	Verde Lichen (VDL)	Frosted (FRO)
FM	Brushed Brass (BRB)	Azure Lichen (AZL)	Clear (CLR)
CF	Light Aged Brass (LAB)	Ivory Lichen (IVL)	
PD	Dark Aged Brass (DAB)	Chocolate Lichen (CHL)	
FL	Brushed Nickel (BRN)	Verde Matte (VDM)	
TB	Matte White (MTW)	Azure Matte (AZM)	
	Matte Black (MTB)	Chocolate Matte (CHM)	
	Graphite (GRA)	Black Matte (BLM)	

---

### Incandescent Base Lamp Specs

#### G16.5 Stretch Filament LED - Frosted Bulb (FRO) / Clear Bulb (CLR)

<b>Type (FRO/CLR)</b>	E26 edison base	<b>Type (FRO/CLR)</b>	E12 candelabra base
<b>Watts Each</b>	4.5	<b>Watts Each</b>	4
<b>Lumens Each</b>	500	<b>Lumens Each</b>	450
<b>Color Temperature</b>	2700 K	<b>Color Temperature</b>	2700 K
<b>Life Expectancy</b>	3 yrs. 25,000 hours	<b>Life Expectancy</b>	3 yrs. 25,000 hours

#### (FRO) / (CLR) Dimmer Compatability

<b>Brand</b>	Model
<b>Lutron</b>	TGCL-153P SCL-153P DVCL-153P LGCL-153P MACL-153M PD-6WCL AY-600P D-600P GL-600P S-600P DV-600P SELV-300P DVELV-300P NTELV-500 RRD-6NA MRF-2-6ELV-120 HQRD-6NA
<b>Leviton</b>	DSL06-1LZ
<b>Legrand</b>	HCL45-3PW
<b>Forbes &amp; Lomax</b>	FLR603P FLRLV603P
<b>Cooper</b>	DAL06P