



CAUTION:

BEFORE INSTALLING FIXTURE, MAKE SURE THE POWER TO THE CIRCUIT IS TURNED OFF AT THE MAIN FUSE BOX / CIRCUIT BREAKER UTILITY BOX.

Important Safety Instructions:

• These instructions are provided for your safety. It is very important that they are read carefully and completely before beginning the assembly and installation of this lighting fixture.

• **We strongly recommend that a professional electrician install all direct wire fixtures.**

• THIS PRODUCT MUST BE INSTALLED IN ACCORDANCE WITH THE APPLICABLE INSTALLATION CODES BY A PERSON FAMILIAR WITH THE CONSTRUCTION AND OPERATION OF THE PRODUCT AND THE HAZARDS INVOLVED.

• The lighting fixture is meant for indoor use. WALL MOUNT ONLY. DRY LOCATIONS ONLY. It must be connected only to 3-wire, single-phase electrical supply systems (provided with ground wire or equivalent protection system).

• This fixture has been rated for up to one (1) 60-watt maximum TYPE G edison base (E-26) incandescent light bulb (not included) or one (1) 4.5 -watt TYPE G edison base (E-26) stretch filament light bulb (included).

To avoid the risk of fire, do not exceed the recommended lamp wattage.

• Save these instructions.

WARNING:

• To reduce the risk of fire, electrical shock, or personal injury, always turn off light fixture and allow it to cool prior to replacing light bulb.

• Do not touch bulb when fixture is turned on. Do not look directly at lit bulb.

• Keep flammable materials away from lit bulb.



STEP ONE:

- Turn off circuit power.
- Prepare j-box.

STEP TWO:

- Per local codes, connect ground wire or jumper from ground to the adapter ring with provided ground screw on back of adapter ring.
- Connect adapter ring to j-box.

STEP THREE:

- Make wire connections.

Notes:
SMOOTH WIRE IS HOT WIRE.
Ribbed wire is the neutral wire.

DO NOT REVERSE THE HOT AND NEUTRAL CONNECTIONS OR SAFETY WILL BE COMPROMISED.

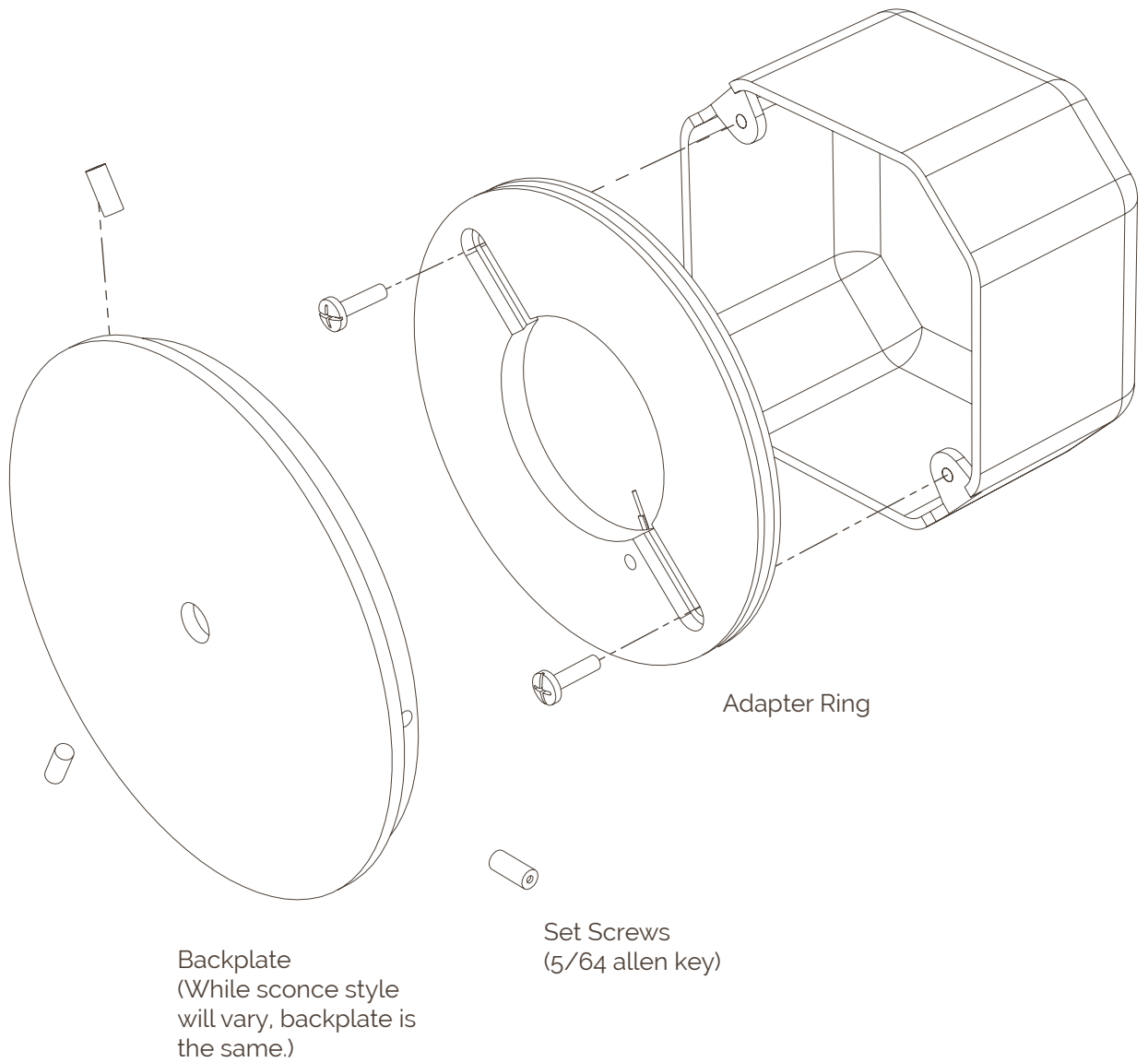
STEP FOUR:

- Connect sconce to adapter ring with 3 set screws in backplate.

STEP FIVE:

- Place ceramic reflector around socket. Apply brass collar to secure ceramic reflector in place.

BE CAREFUL TO NOT OVER TIGHTEN BRASS HOUSING OR CERAMIC WILL CRACK.





To prevent scratches on surface, leave paper cover on until ceramic reflector & brass collar are installed.

