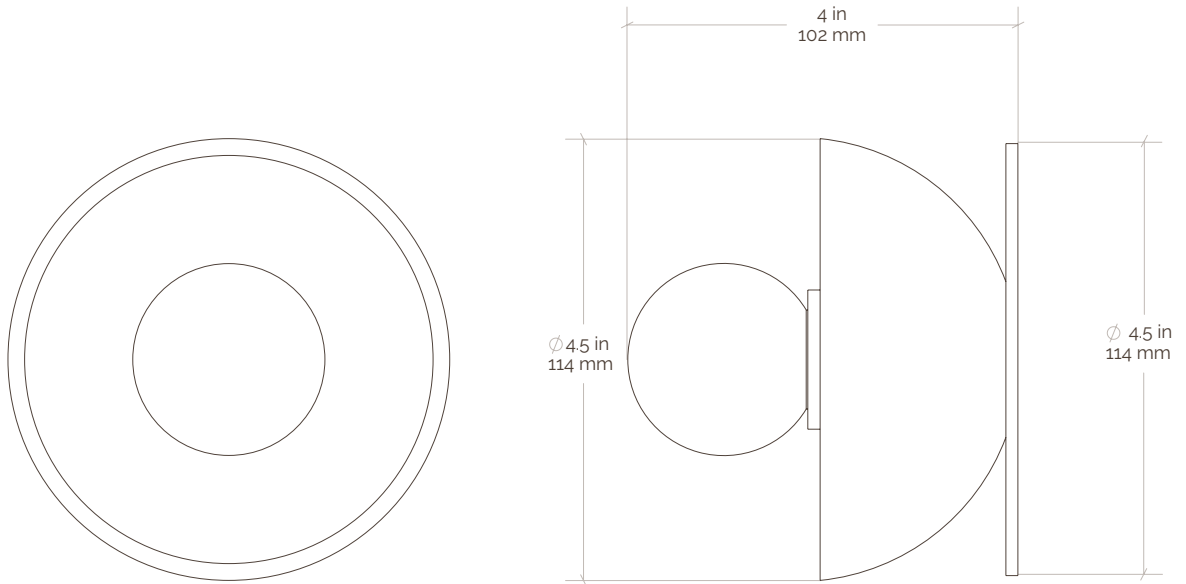




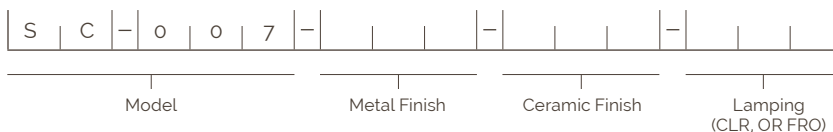
# Emmet Sconce Small, Dry, ADA

Incandescent



<b>Collection</b>	Emmet	<b>Mounting</b>	4 in octagon box (3.5 in screw spacing)
<b>Number</b>	SC-007	<b>Backplate</b>	4.5 in / 114 mm
<b>Product</b>	Sconce Small, Dry, ADA	<b>Certifications</b>	UL listed, ADA projection
<b>Appx. Dimensions</b>	Diameter: 4.5 in / 114 mm Projection: 4 in / 102 mm (Includes bulb)	<b>Lamping</b>	E26 G16.5 stretch filament LED
<b>Weight</b>	1.5 lbs / 0.7 kgs	<b>Lamping Spec</b>	4.5 w / 500 lm / 2700 k each
<b>Materials</b>	Brass & terracotta	<b>Dimming</b>	See compatability list for details.
<b>Finishes</b>	Available in any Pax brass & ceramic finish		*WALL MOUNT ONLY

**SKU Key** Finish legend available at [paxlighting.com/finishes](http://paxlighting.com/finishes)





---

## Specifications

### SKU Legend

XX-XXX	XXX-	XXX-	XXX-
<b>Model</b>	<b>Metal Finish</b>	<b>Ceramic Finish</b>	<b>Lamping</b>
SC	Antique White (ANW)	Verde Lichen (VDL)	Frosted (FRO)
FM	Brushed Brass (BRB)	Azure Lichen (AZL)	Clear (CLR)
CF	Light Aged Brass (LAB)	Ivory Lichen (IVL)	
PD	Dark Aged Brass (DAB)	Chocolate Lichen (CHL)	
FL	Brushed Nickel (BRN)	Verde Matte (VDM)	
TB	Matte White (MTW)	Azure Matte (AZM)	
	Matte Black (MTB)	Chocolate Matte (CHM)	
	Graphite (GRA)	Black Matte (BLM)	

---

### Incandescent Base Lamp Specs

#### G16.5 Stretch Filament LED - Frosted Bulb (FRO) / Clear Bulb (CLR)

<b>Type (FRO/CLR)</b>	E26 edison base	<b>Type (FRO/CLR)</b>	E12 candelabra base
<b>Watts Each</b>	4.5	<b>Watts Each</b>	4
<b>Lumens Each</b>	500	<b>Lumens Each</b>	450
<b>Color Temperature</b>	2700 K	<b>Color Temperature</b>	2700 K
<b>Life Expectancy</b>	3 yrs. 25,000 hours	<b>Life Expectancy</b>	3 yrs. 25,000 hours

#### (FRO) / (CLR) Dimmer Compatability

<b>Brand</b>	Model
<b>Lutron</b>	TGCL-153P
	SCL-153P
	DVCL-153P
	LGCL-153P
	MACL-153M
	PD-6WCL
	AY-600P
	D-600P
	GL-600P
	S-600P
	DV-600P
	SELV-300P
	DVELV-300P
	NTELV-500
	RRD-6NA
	MRF-2-6ELV-120
	HQRD-6NA
<b>Leviton</b>	DSL06-1LZ
<b>Legrand</b>	HCL45-3PW
<b>Forbes &amp; Lomax</b>	FLR603P
	FLRLV603P
<b>Cooper</b>	DAL06P