



**CAUTION:**

BEFORE INSTALLING FIXTURE, MAKE SURE THE POWER TO THE CIRCUIT IS TURNED OFF AT THE MAIN FUSE BOX / CIRCUIT BREAKER UTILITY BOX.

**Important Safety Instructions:**

- These instructions are provided for your safety. It is very important that they are read carefully and completely before beginning the assembly and installation of this lighting fixture.

- **We strongly recommend that a professional electrician install all direct wire fixtures.**

- THIS PRODUCT MUST BE INSTALLED IN ACCORDANCE WITH THE APPLICABLE INSTALLATION CODES BY A PERSON FAMILIAR WITH THE CONSTRUCTION AND OPERATION OF THE PRODUCT AND THE HAZARDS INVOLVED.

- The lighting fixture is meant for indoor use. DRY LOCATIONS ONLY. It must be connected only to 3-wire, single-phase electrical supply systems (provided with ground wire or equivalent protection system).

- This fixture has been rated for up to one (1) 60-watt maximum TYPE G edison base (E-26) incandescent lamps (bulbs) (not included) or one (1) 4.5 -watt TYPE G edison base (E-26) stretch filament LED lamps (bulbs) (included).

To avoid the risk of fire, do not exceed the recommended lamp wattage.

- Save these instructions.

**WARNING:**

- To reduce the risk of fire, electrical shock, or personal injury, always turn off light fixture and allow it to cool prior to replacing lamp (bulb).

- Do not touch lamp (bulb) when fixture is turned on. Do not look directly at lit lamp (bulb).

- Keep flammable materials away from lit lamp (bulb).



---

**GENERAL NOTES:**

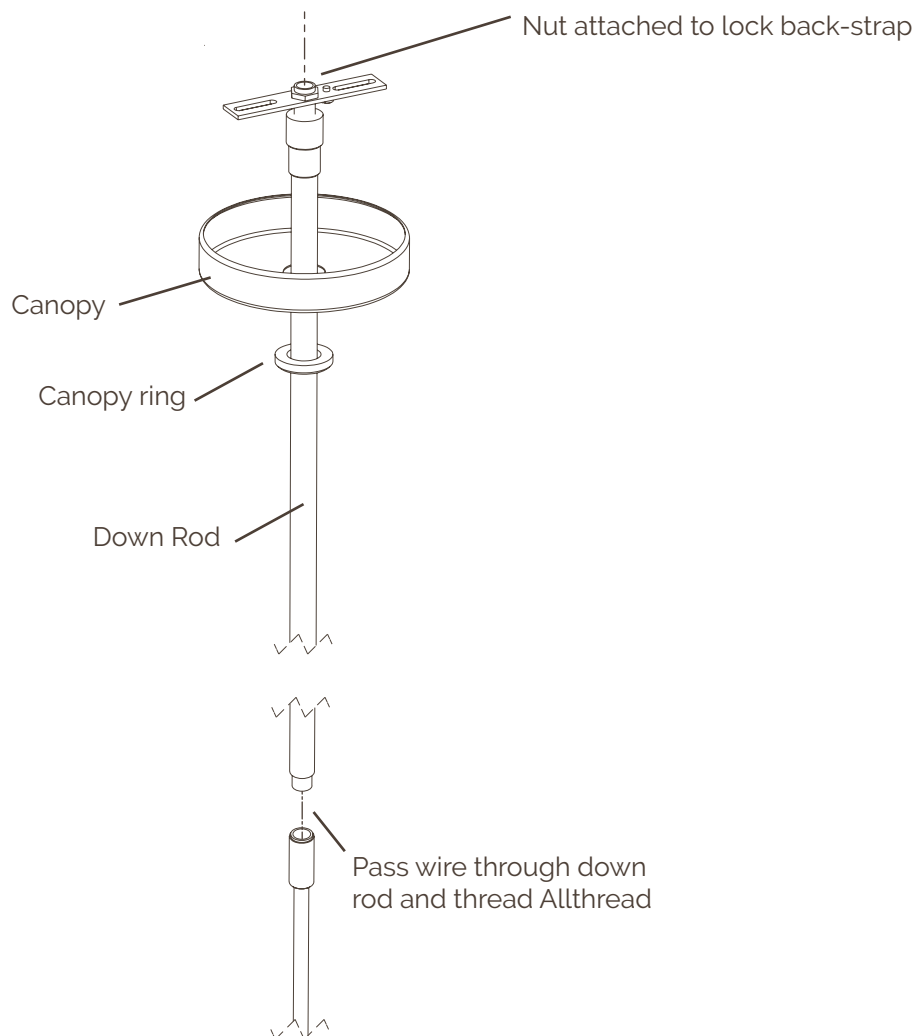
- Ceramic and ceramic holders should be attached AFTER fixture is installed and connected.

**STEP ONE:**

- Turn off circuit power.
- Prepare j-box.

**STEP TWO:**

- With caution, slip canopy ring and canopy down fixture to rest on center fixture hub.
- Attach back-strap and locking nut to top end of down-rod assembly.





---

**STEP THREE:**

- Connect fixture to j-box.
- Make wire connections. Grounding through the fixture is provided by the back-strap ground screw.

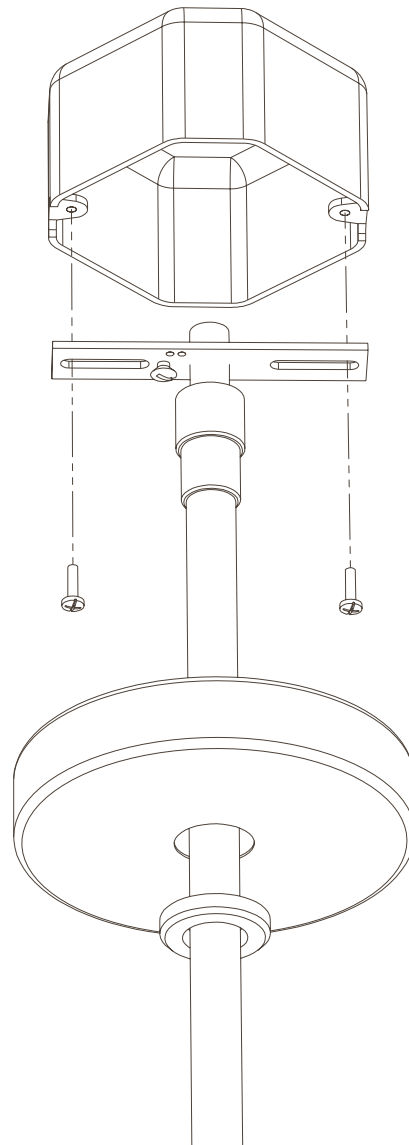
Notes:

SMOOTH WIRE IS HOT WIRE.

Ribbed wire is the neutral wire.

DO NOT REVERSE THE HOT AND NEUTRAL CONNECTIONS OR SAFETY WILL BE COMPROMISED.

- Bring canopy up to cover the j-box and secure in place with the canopy ring.





**STEP FOUR:**

- Install ceramic with threaded ceramic holders. There is a slightly oversized hole in the ceramic to allow for minor adjustments for leveling the bottom edges.
- Install included bulbs.

**BE CAREFUL TO NOT OVER TIGHTEN BRASS HOUSING OR CERAMIC WILL CRACK.**

